

# Lockitron Manual

*The Abbreviated Guide to  
Getting the Most out of  
Lockitron Access*

# Welcome to Lockitron!

Thank you for your Lockitron purchase! Soon you will be able control your door from anywhere in the world and grant and remove access to your door with ease.

We have cobbled together a list of installation instructions and troubleshooting notes in the following pages. If you need any assistance at all, contact us anytime at [support@lockitron.com](mailto:support@lockitron.com).

Best,  
The Lockitron Team

**1.6R Edition, February 2014**

Written and printed with care in Mountain View, CA.  
© 2011-2014 Apigy Inc. All Rights Reserved.

# Installation Instructions

---

## Before Getting Started

Make sure to first verify that you have the appropriate equipment and supplies to get Lockitron Access set up. This means additional wiring, an Ethernet cable as well as the desired electrified or electronic locking system that you wish to connect Lockitron to.

On page nine (9) of this manual we reference a number of common ways in which Lockitron Access may wire into your electrified system. If you already have a pre-existing access control system, inspect whether or not there is an available REX or AUX input to connect Lockitron to.

While Lockitron may wire in parallel with an access control system, we recommend wiring into the REX or AUX inputs to maintain the integrity of the pre-existing access control panel's logging functions.

Depending on your wiring circumstances, we recommend placing Lockitron Access adjacent to the door which you want to be Lockitron-enabled. A number of upcoming Lockitron Access features will leverage proximity data.

## What's in the Box

- Lockitron Access
- Lockitron Access enclosure
- 5VDC Power Adapter

Lockitron Access can be installed in several steps, in most cases using nothing more than a flat head screwdriver, wire cutters, and a multimeter. Let's get you started by taking a look at the circuit you are wiring Lockitron into.

# Installation Instructions

---

## I. Be Careful

**WARNING:** When connecting the included relay through high-voltage wiring, you must take appropriate precautions. Handling, testing and operating high-voltage equipment and wiring can be dangerous and possibly fatal when safety rules are not followed.

**If you have no experience working with or are not confident working with high-voltage equipment, wiring or circuits, then DO NOT attempt to install the included relay yourself and instead seek the assistance of a licensed electrician.**

When working with high voltage equipment and wiring:

- ALWAYS DISCONNECT THE CIRCUIT from its power source prior to performing any work on the circuit.
- DO NOT TOUCH ANY COMPONENTS ON THE EXPOSED RELAY when the circuit is connected to a power source as certain traces on the board carry high voltages. We recommend that you first place the relay into the included enclosure and assemble the enclosure before turning on any associated circuit.
- COVER ANY EXTERNAL WIRE CONNECTIONS with electrical tape or appropriate caps / connectors.
- REVIEW YOUR LOCAL ELECTRICAL CODE AND REGULATIONS to understand if you need to have a licensed electrician complete the high voltage circuit and install high voltage wiring or equipment.

## DISCLAIMER

**Apigy Inc., its shareholders, employees, suppliers, distributors and/or resellers are not liable for any bodily harm, damage, fire, distress or death caused by high-voltage electrical shock, while using this circuit or the improper installation of this circuit.**

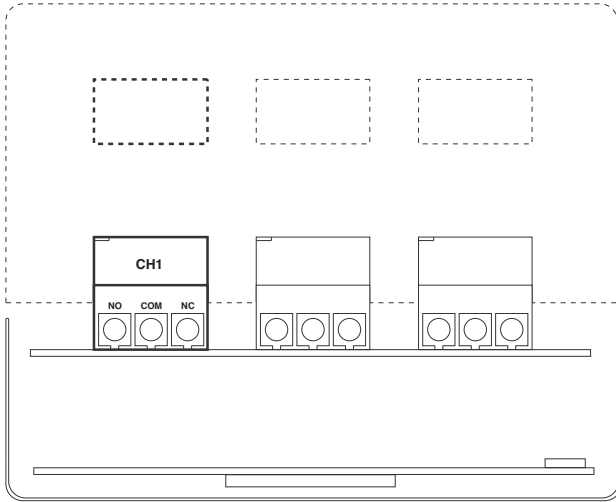
Please visit <https://lockitron.com/terms> for further terms and conditions that apply to your usage of this product.

# Installation Instructions

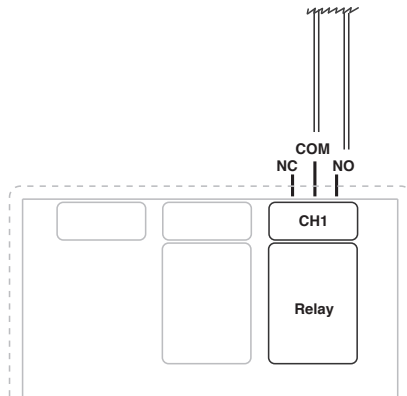
---

## II. Wire in Relay

1. Remove the cover from the Lockitron Access case.



2. Note: Remember to first feed wiring for Lockitron Access through the appropriate whole in the outer case so that upon completion the cover may be replaced.



Relay Rating: 5 A at 120 VAC; 4 A at 30 VDC (Inductive Loads)

# Installation Instructions

## III. Connect Relay

If you have already installed an access control system or strike, then remove power from the system. In the case of an access control system, attempt to locate an available “REX” or “Request to Exit” input where you can wire in the appropriate hot and neutral wires. (Wires not included.)

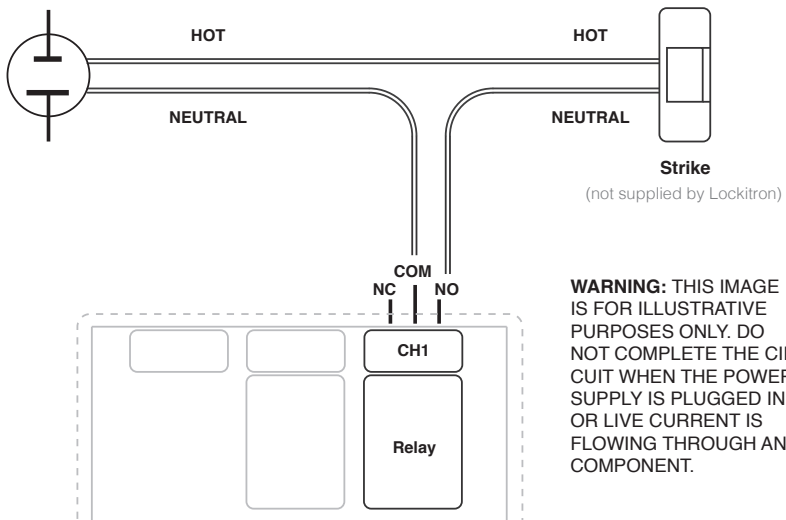
If your buzzer or current strike does not have a REX input, then you should locate the circuit connected to the buzzer’s button. Remove power to this circuit and insert the Lockitron relay in parallel with the buzzer button. Note that the power supply being used by the electric strike is not supplied in this kit.

When you have completed the circuit, ensure that there is no exposed wiring and that all connections are well secured to their terminals. **ONLY WHEN YOU HAVE VERIFIED THE WIRING OF THE CIRCUIT SHOULD YOU PLUG IN THE POWER SUPPLY.**

For a single door installation, you must wire into Lockitron Access’ right relay (labeled “K1” closest to the “JP3” jumper). In the case of a fail-secure lock or strike, wire into the “NO” or normally open terminal and the “COM” terminal. **When working with AC mains power, it is highly recommended to interrupt the NEUTRAL wire as opposed to the HOT wire.**

### Power Supply

(not supplied by Lockitron)



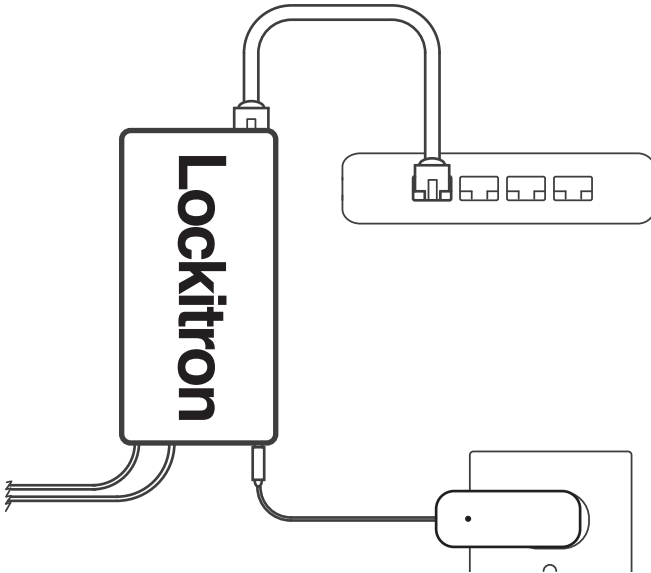
**WARNING: THIS IMAGE IS FOR ILLUSTRATIVE PURPOSES ONLY. DO NOT COMPLETE THE CIRCUIT WHEN THE POWER SUPPLY IS PLUGGED IN OR LIVE CURRENT IS FLOWING THROUGH ANY COMPONENT.**

# Installation Instructions

---

## IV. Plug in Lockitron Access

Replace cover and plug Lockitron Access into a standard wall outlet using the included 5V DC power adapter.



Allow Lockitron Access a minute to boot. Then head to the next step to register your new Lockitron.

**WARNING:** An improperly wired circuit, relay or other high voltage equipment may cause electrocution, death, fire or other personal and property damage. Please refer to the full disclosures above and verify your circuit before applying any current to it or connecting the relay.

If upon registering Lockitron Access the relay is not functioning and you are unable to release the strike via the Lockitron Dashboard then immediately remove power from the circuit, unplug Lockitron Access from the power supply and verify the circuit.

# Installation Instructions

---

## V. Register at Lockitron.com

Once you have completed the physical set up of your Lockitron, you can head to <https://lockitron.com/register> to complete your set up. The page should automatically detect your serial number. Once you have agreed to the Terms and Conditions, just enter your information and hit “Register”.

**If your serial number is not automatically detected, it is possible your mini-server could not connect to the internet. Please verify the LEDs next to the ethernet are illuminated and blinking and that the cable is fully inserted.** The welcome screen on your Lockitron dashboard will guide you through setup on your smartphone.

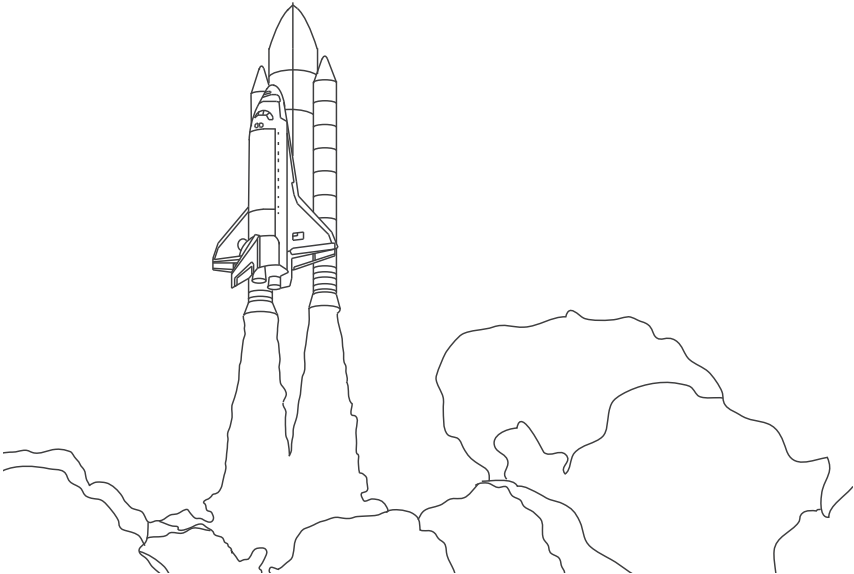
## VI. Enjoy Lockitron!

The future is already here – it’s just not very evenly distributed.

*-William Gibson*

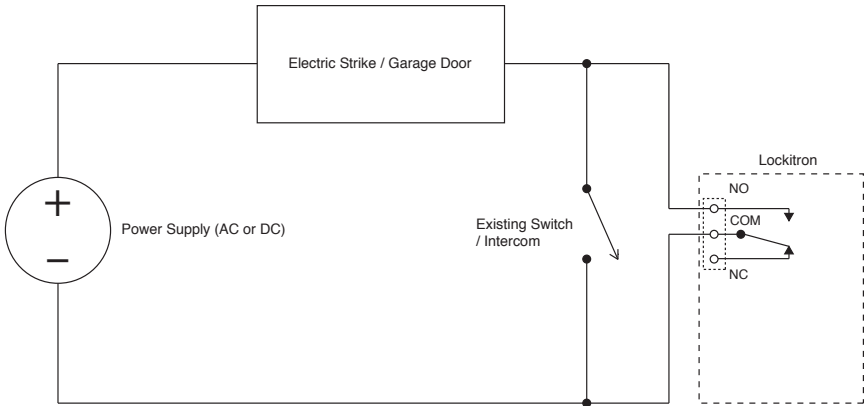
**Congratulations, you now own a piece of the future!**

If your Lockitron is having some hiccups, take a look at the troubleshooting section that follows or send us an email at [support@lockitron.com](mailto:support@lockitron.com).

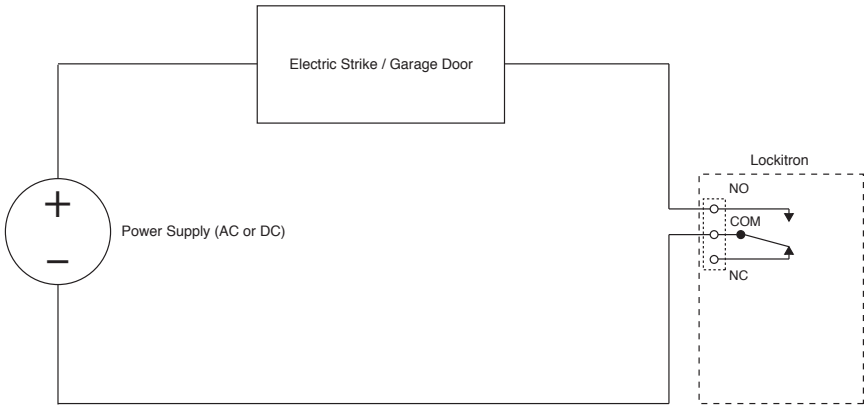




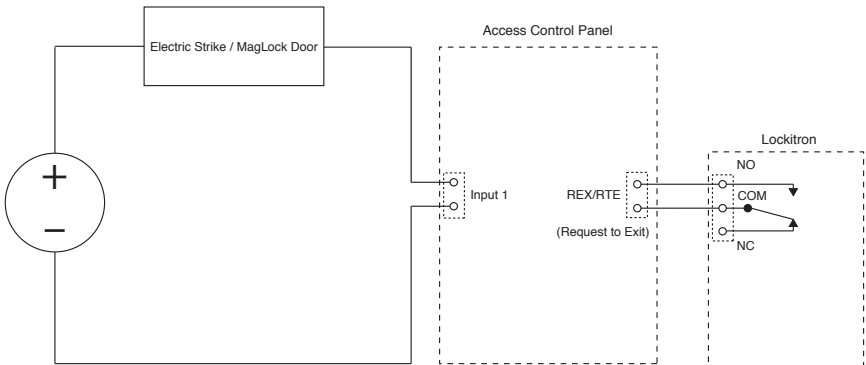
Typical installation, Lockitron wired in parallel with existing switch



Standalone installation, Lockitron wired in series with strike



Lockitron integrated with existing access control panel using REX/RTE



# Troubleshooting

---

## Problems with your Lockitron?

Below we have listed some of the most common problems that you might experience with Lockitron. For the most up-to-date information, visit the support page in your dashboard at <https://lockitron.com/faq> . Otherwise, if you need additional assistance, please email us at [support@lockitron.com](mailto:support@lockitron.com)

### Lockitron isn't locking or unlocking when sent a command

If your Lockitron isn't consistently responding to your commands, the first step in diagnosing it is by using the "Unlock" button on the "Locks" tab. Click on the button to test the Lockitron - if the button flashes red after you click on it, then your Lockitron is offline.

The most likely cause for this is that the Lockitron has been unplugged from a power source or its internet source. Check to see that the Lockitron is plugged in by seeing if at least of the lights on the top of the server unit is on or flashing and that one or both of the lights next to the ethernet jack are flashing.

If the Lockitron is fully powered up and plugged into a working internet connection, yet the button still flashes red after clicking the "Unlock" button, then you should try unplugging the server from power briefly, then plugging it back in. Wait at least one minute, then repeat the above steps. If after all of this Lockitron still isn't working for you, we recommend that you contact us and we can check it out from our end!

### My buttons flash green, but it still doesn't work!

If your "Unlock" button in the control panel flash green, but your Lockitron still does not respond, then your Lockitron relay might be unplugged from the circuit. Ensure that your Lockitron Access is properly plugged in and that the relay is properly completing the circuit with the strike and power source. If you need to reconnect Lockitron Access to the relay or repair the circuit, ensure to take appropriate precautions and disconnect all power sources first.

### Watch for unplugged cables

If Lockitron Access is installed under a desk or in a high-traffic zone there exists a greater chance of accidental unplugging. If Lockitron is either unplugged from the wall or if its the relay is unplugged, it will no longer function. Keep all wiring for Lockitron Access tucked away to prevent anyone from accidentally unplugging the unit.

# Troubleshooting

---

## Still need help?

Send us an email at [support@lockitron.com](mailto:support@lockitron.com) at anytime for assistance.

We are also pleased to offer support via Facetime so that you can show us exactly where any issues are with your Lockitron! Just email us at [support@lockitron.com](mailto:support@lockitron.com) to set up a Facetime chat.

*Please note that Lockitron.com currently only fully supports the latest builds of Chrome, Safari and Firefox. If you are using Internet Explorer, we recommend that you upgrade to the latest version ("IE 10") or install one of the above browsers.*

## What can Lockitron do Better?

Our goal is to make sure that your Lockitron experience always improves over time. If there is something that you would like to see in Lockitron or simply want to drop us a line, please feel free to contact us at [hello@lockitron.com](mailto:hello@lockitron.com).

Thanks for your support and your purchase of Lockitron!

